

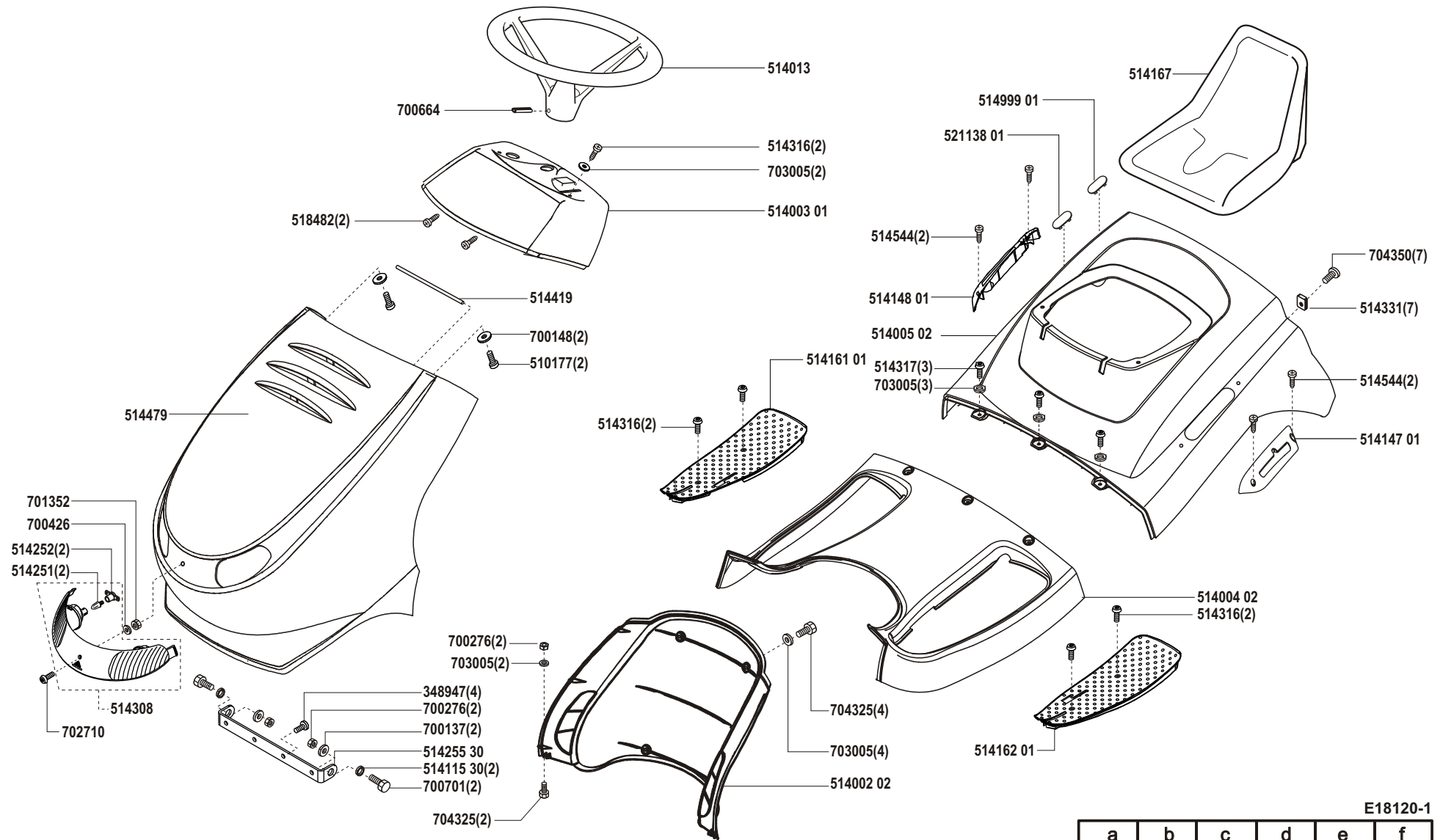
T 14 - 85 HD-H

Art.-Nr.: 118120



EuroCUT

2000



E18120-1

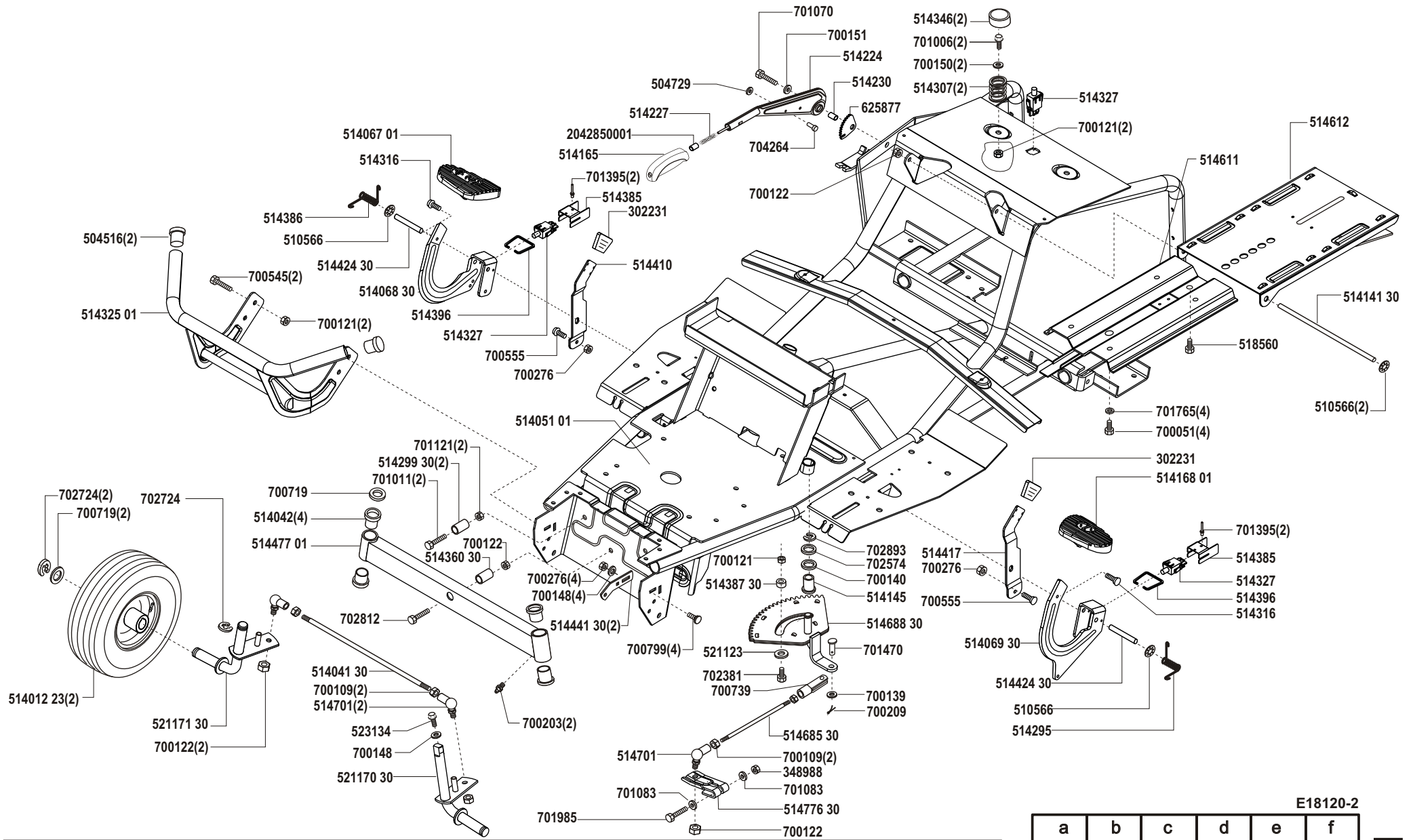
a	b	c	d	e	f
03/00					

T 14 - 85 HD-H

Art.-Nr.: 118120

EuroCUT

2000



E18120-2

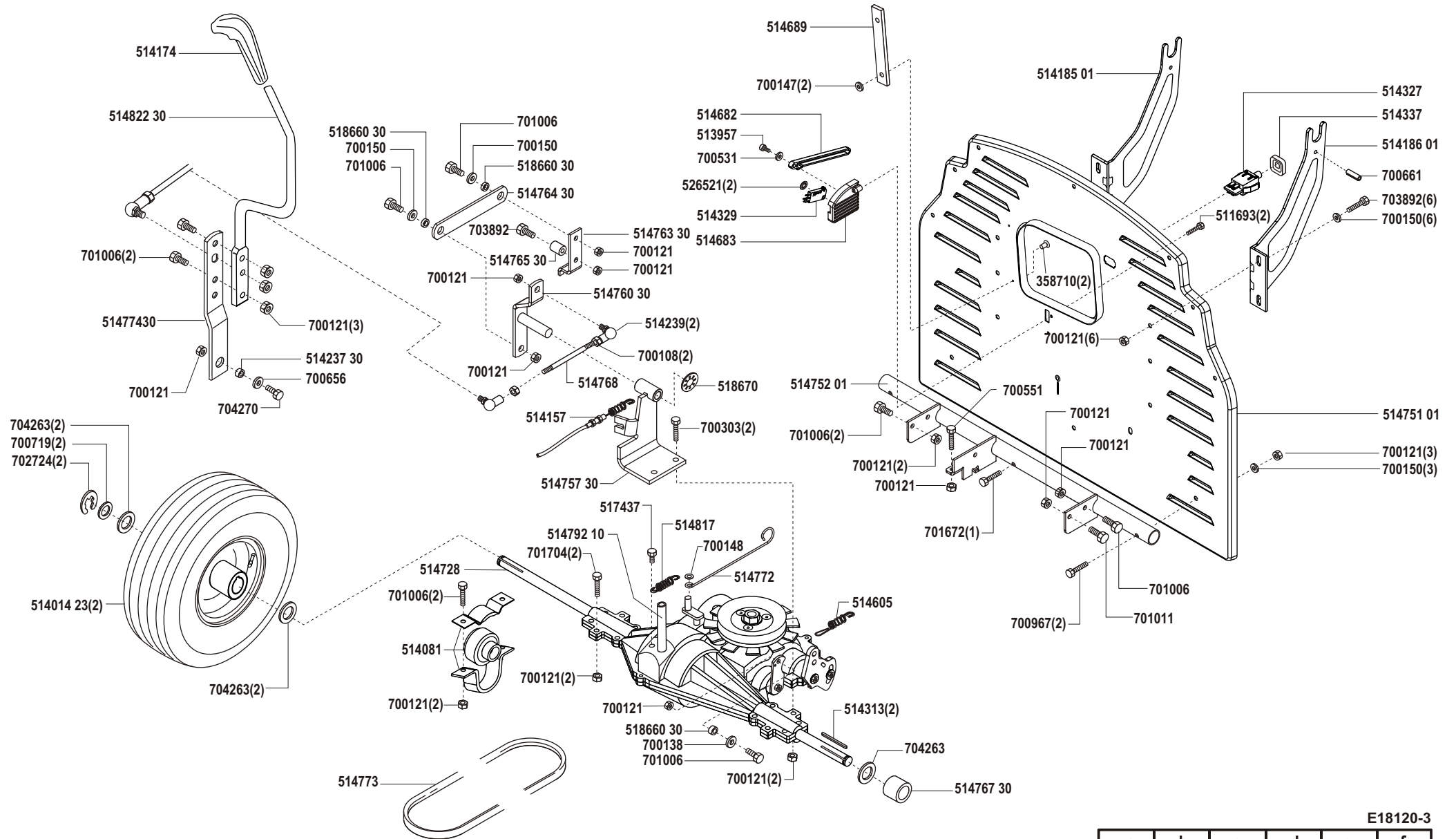
a	b	c	d	e	f
---	---	---	---	---	---

T 14 - 85 HD-H

Art.-Nr.: 118120

EuroCUT

2000



E18120-3

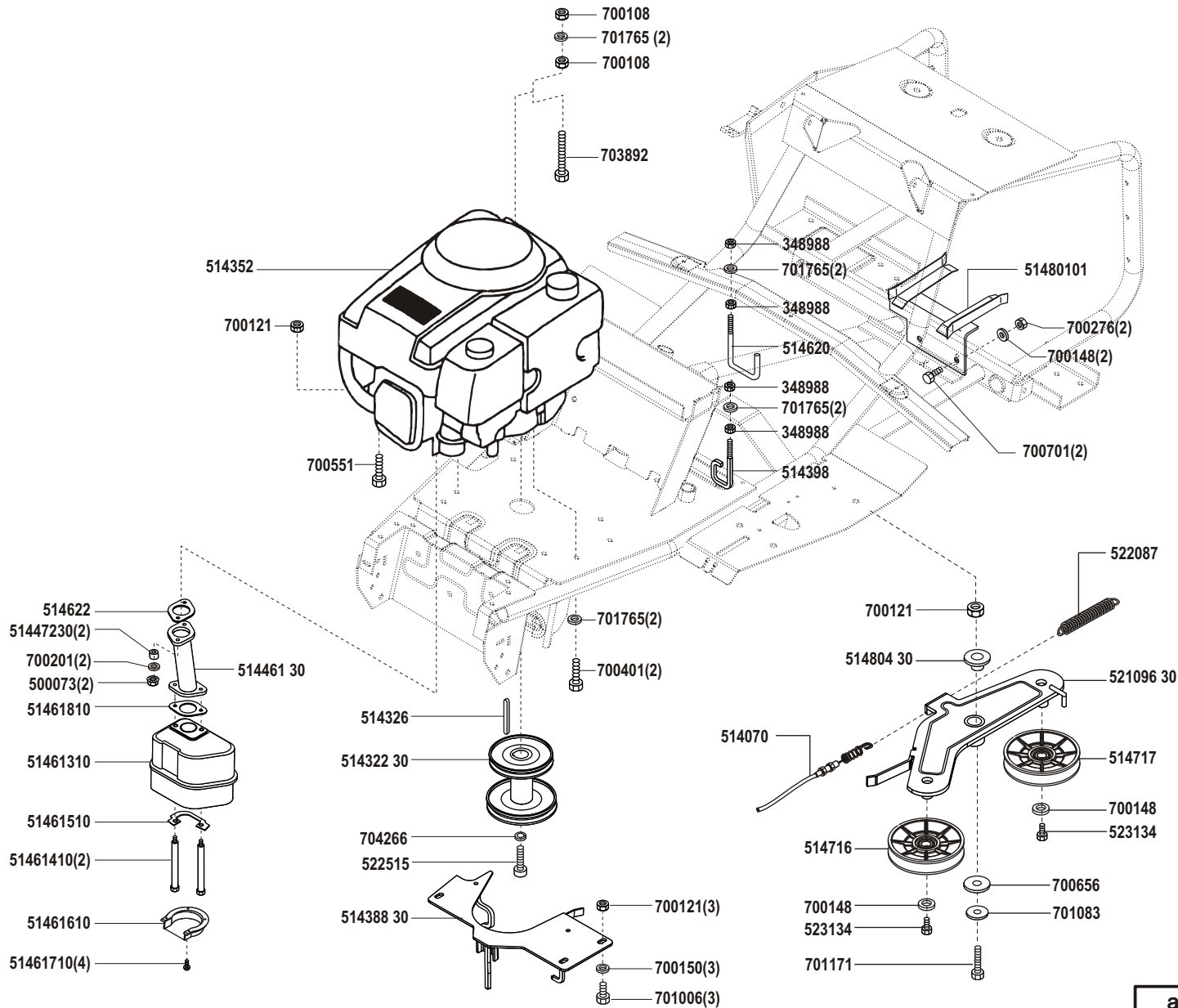
a	b	c	d	e	f
---	---	---	---	---	---

T 14 - 85 HD-H

Art.-Nr.: 118120

EuroCUT

2000



E18120-4

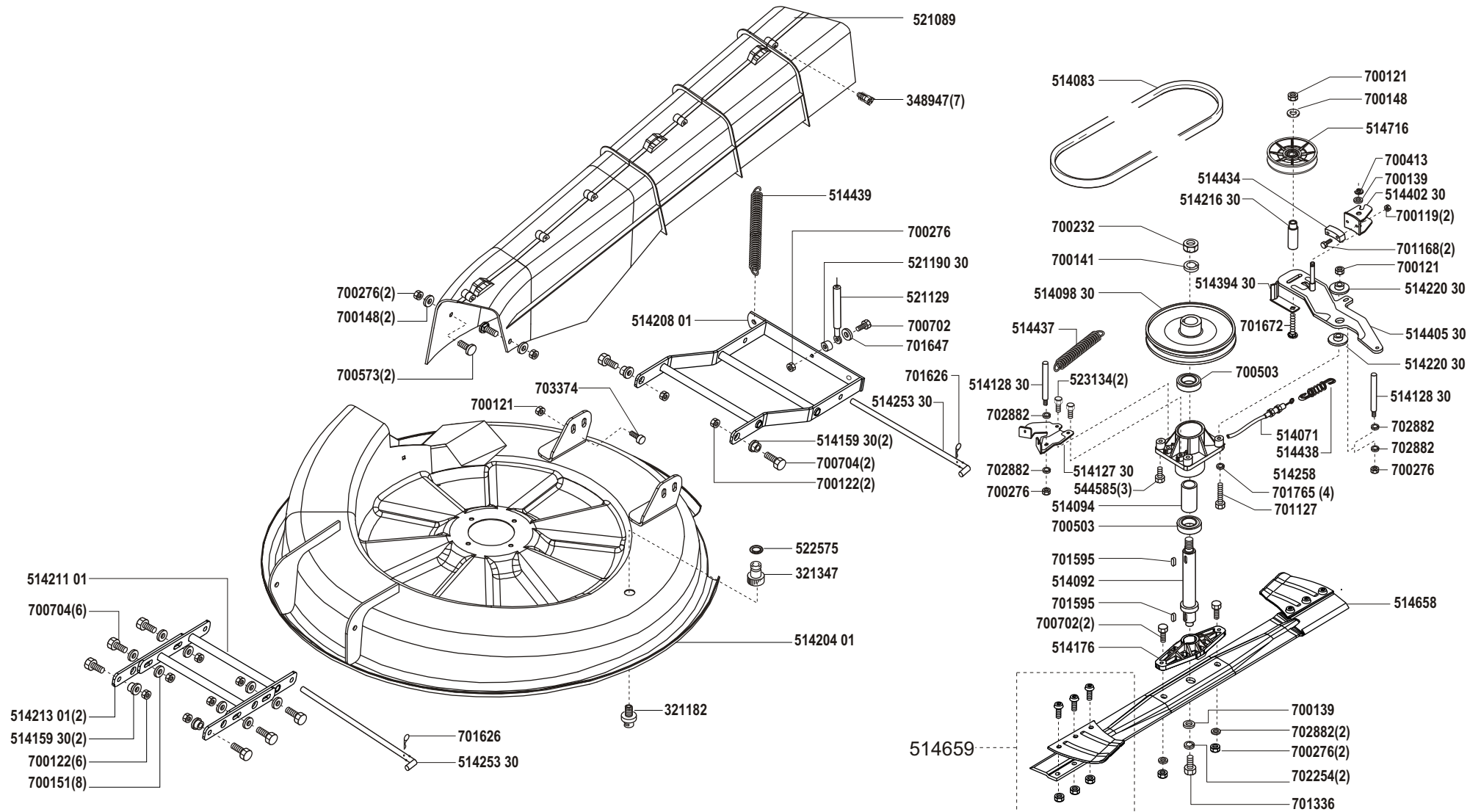
a	b	c	d	e	f
03/00					

T 14 - 85 HD-H

Art.-Nr.: 118120

EuroCUT

2000



E18120-5

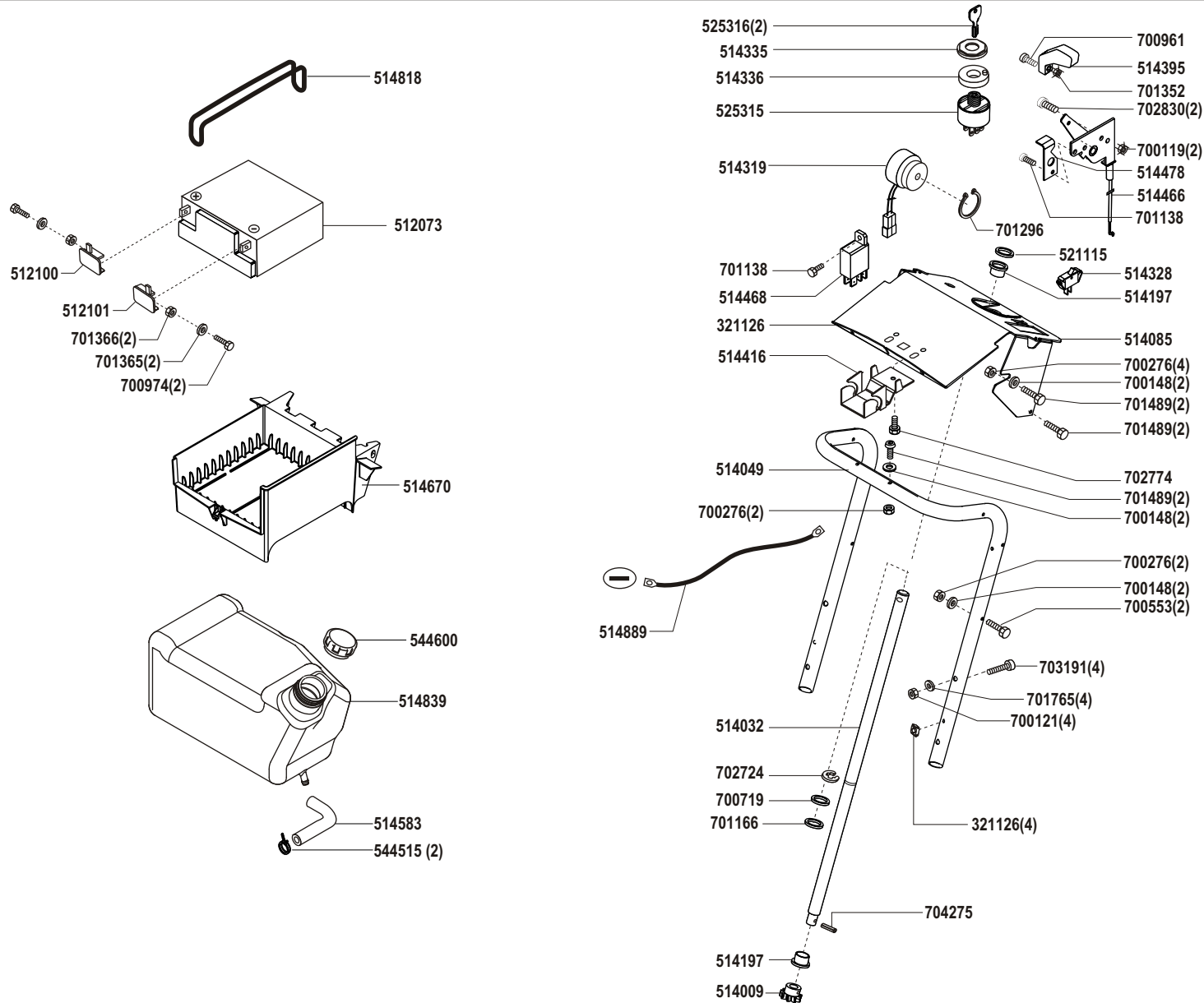
a	b	c	d	e	f
---	---	---	---	---	---

T 14 - 85 HD-H

Art.-Nr.: 118120

EuroCUT

2000



E18120-6

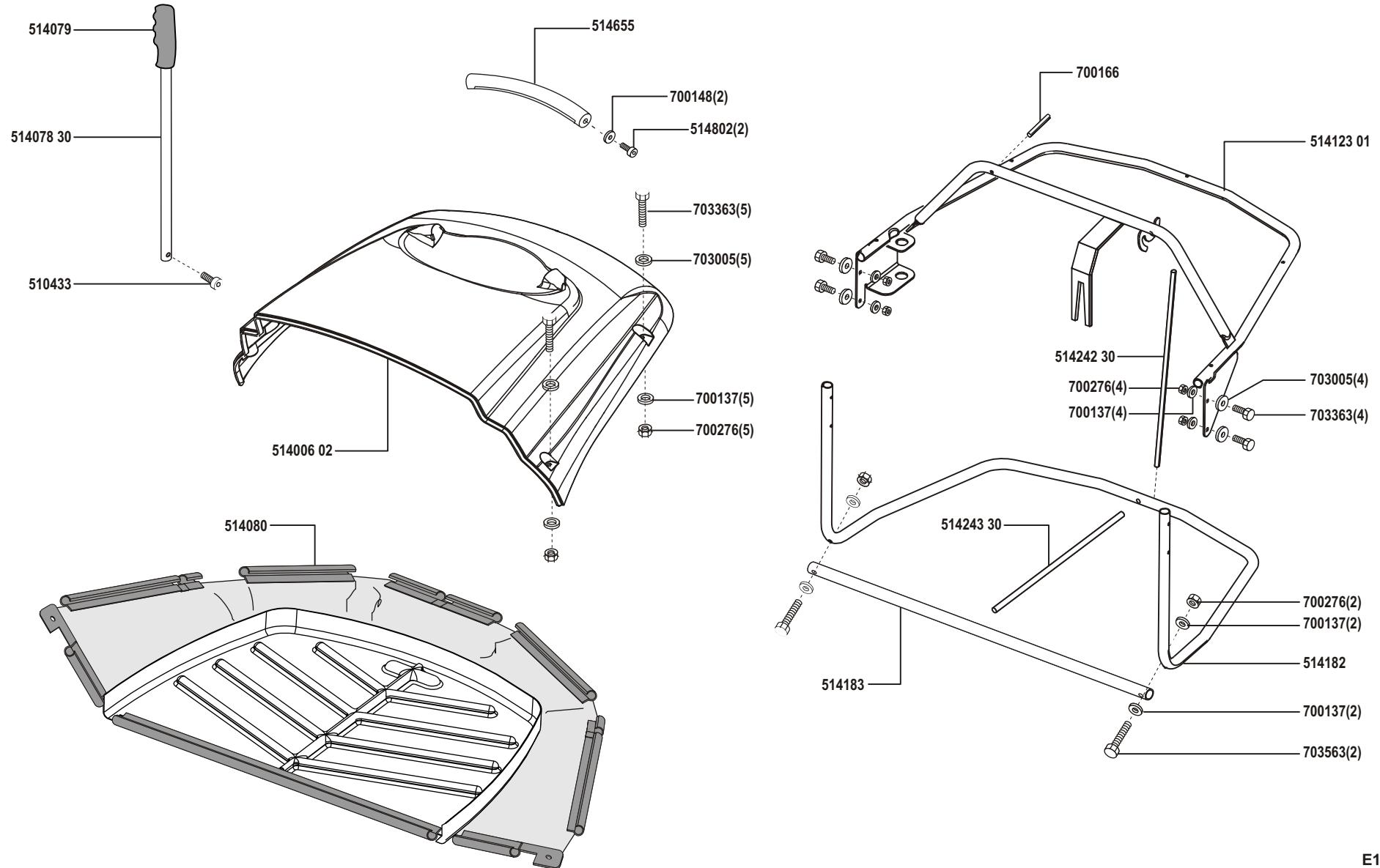
a	b	c	d	e	f
---	---	---	---	---	---

T 14 - 85 HD-H

Art.-Nr.: 118120

EuroCUT

2000



E18120-7

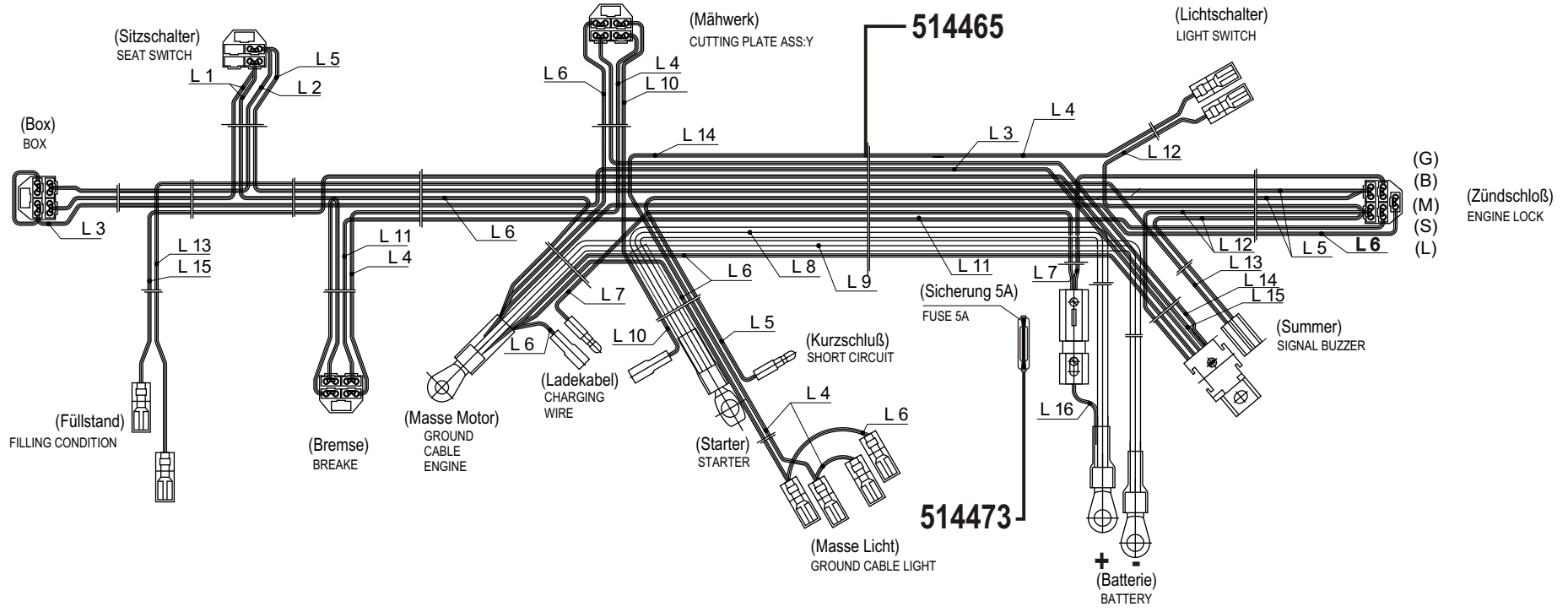
a	b	c	d	e	f
04/00					

T 14 - 85 HD-H

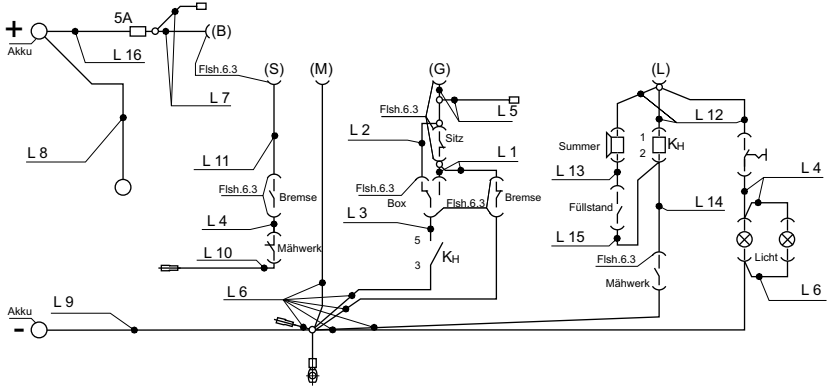
Art.-Nr.: 118120

EuroCUT

2000



Schaltplan Traktor E-Start
CONNECTION DIAGRAM E-STARTER



- L 1 = rosa pink
- L 2 = grau grey
- L 3 = weiß white
- L 4 = braun brown
- L 5 = grün green
- L 6 = schwarz black
- L 7 = rot red
- L 8 = rot red
- L 9 = blau blue
- L 10 = violett violet
- L 11 = orange orange
- L 12 = gelb yellow
- L 13 = blau blue
- L 14 = rot/weiß red/white
- L 15 = weiß/blau white/blue
- L 16 = rot red

E18120-8

a	b	c	d	e	f
---	---	---	---	---	---